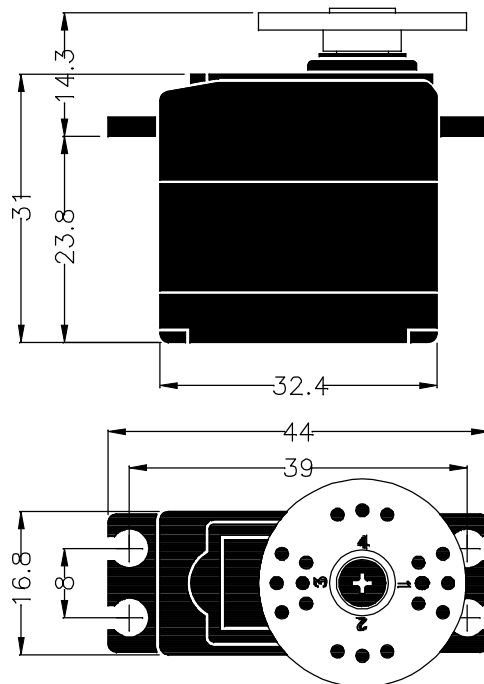


# ANNOUNCED SPECIFICATION OF HS-225BB MIGHTY MINI SERVO

## 1. TECHNICAL VALUE

CONTROL SYSTEM	: +PULSE WIDTH CONTROL 1500usec NEUTRAL	
OPERATING VOLTAGE RANGE	: 4.8V TO 6.0V	
OPERATING TEMPERATURE RANGE	: -20°C TO +60°C (-46°F TO +86°F)	
TEST VOLTAGE	: AT 4.8V	AT 6.0V
OPERATING SPEED	: 0.15sec/60° AT NO LOAD	0.13sec/60° AT NO LOAD
STALL TORQUE	: 3.7kg.cm(51.38oz.in)	4.4kg.cm(61.10oz.in)
STANDING TORQUE	: 3kg.cm(41.66oz.in)/5° HOLD OUT	3.5kg.cm(48.60oz.in)/5° HOLD OUT
IDLE CURRENT	: 7.4mA AT STOPPED	7.7mA AT NO LOAD
RUNNING CURRENT	: 260mA/60° AT NO LOAD	360mA/60° AT NO LOAD
STALL CURRENT	: 1600mA	2000mA
DEAD BAND WIDTH	: 5usec	5usec
OPERATING TRAVEL	: 40°/ONE SIDE PULSE TRAVELING 400usec	
DIRECTION	: CLOCK WISE/PULSE TRAVELING 1500 TO 1900usec	
MOTOR TYPE	: CORED METAL BRUSH	
POTENTIOMETER TYPE	: 6 SLIDER/INDIRECT DRIVE	
AMPLIFIER TYPE	: ANALOG AMPLIFIER WITH TRANSISTOR DRIVER	
DIMENSIONS	: 32.4x16.8x31mm(1.27x0.66x1.22in)	
WEIGHT	: 27.7g(0.97oz)	
BALL BEARING	: POM RESIN	
GEAR MATERIAL	: HEAVY DUTY RESIN	
HORN GEAR SPLINE	: 24 SEGMENTS/∅5.76	
SPLINED HORNS	: REGULAR/R-C,R-D,R-I,R-O,R-X,SUPER/R-XA	
CONNECTOR WIRE LENGTH	: 300mm(11.81in)	
CONNECTOR WIRE STRAND COUNTER	: 40EA	
CONNECTOR WIRE GAUGE	: 25AWG	



## 2. FEATURES

TOP BALL BEARING

## 3. APPLICATIONS

SMALL & MEDIUM PLANES

30 HELICOPTERS

GLIDERS

CARS