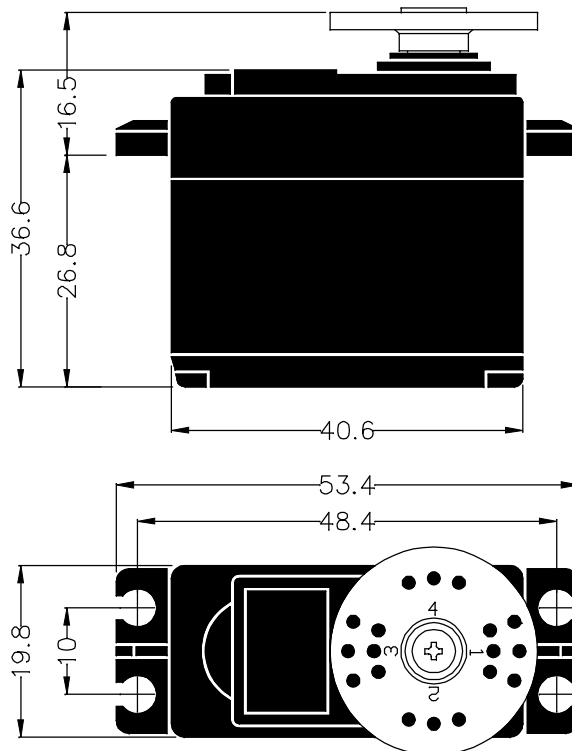


ANNOUNCED SPECIFICATION OF HS-425BB STANDARD DELUXE SERVO

1. TECHNICAL VALUE

CONTROL SYSTEM	: +PULSE WIDTH CONTROL 1500usec NEUTRAL	
OPERATING VOLTAGE RANGE	: 4.8V TO 6.0V	
OPERATING TEMPERATURE RANGE	: -20°C TO +60°C (-68°F TO +140°F)	
TEST VOLTAGE	: AT 4.8V	AT 6.0V
OPERATING SPEED	: 0.21sec/60° AT NO LOAD	0.16sec/60° AT NO LOAD
STALL TORQUE	: 3.1kg.cm(43.05oz.in)	3.9kg.cm(54.15oz.in)
STANDING TORQUE	: 2.5kg.cm(34.71oz.in)/5° HOLD OUT 3.1kg.cm(43.05oz.in)/5° HOLD OUT	
IDLE CURRENT	: 8mA AT STOPPED	8mA AT STOPPED
RUNNING CURRENT	: 150mA/60° AT NO LOAD RUNNING	180mA/60° AT NO LOAD RUNNING
STALL CURRENT	: 600mA	750mA
DEAD BAND WIDTH	: 5usec	5usec
OPERATING TRAVEL	: 40°/ONE SIDE PULSE TRAVELING 400usec	
DIRECTION	: CLOCK WISE/PULSE TRAVELING 1500 TO 1900usec	
MOTOR TYPE	: CORED/METAL BRUSH	
POTENTIOMETER TYPE	: 6 SLIDER/INDIRECT DRIVE	
AMPLIFIER TYPE	: ANALOG AMPLIFIER	
DIMENSIONS	: 40.6x19.8x36.6mm(1.59x0.77x1.44in)	
WEIGHT	: 45.5g(1.6oz)	
BALL BEARING	: DUAL BALL BEARING	
GEAR MATERIAL	: POM RESIN	
HORN GEAR SPLINE	: 24 SEGMENTS/∅5.76	
SPLINED HORNS	: REGULAR/R-C, R-D, R-I, R-O, R-X	
CONNECTOR WIRE LENGTH	: 300mm(11.81in)	
CONNECTOR WIRE STRAND COUNTER	: 40EA	
CONNECTOR WIRE GAUGE	: 25AWG	



2. FEATURES

- LONG LIFE
- DUAL BALL BEARING
- INDIRECT POTENTIOMETER DRIVE

3. APPLICATIONS

- AIRCRAFT 20-60 SIZE
- 30 SIZE HELICOPTERS
- STEERING AND THROTTLE SERVO FOR CARS
- TRUCK AND BOATS