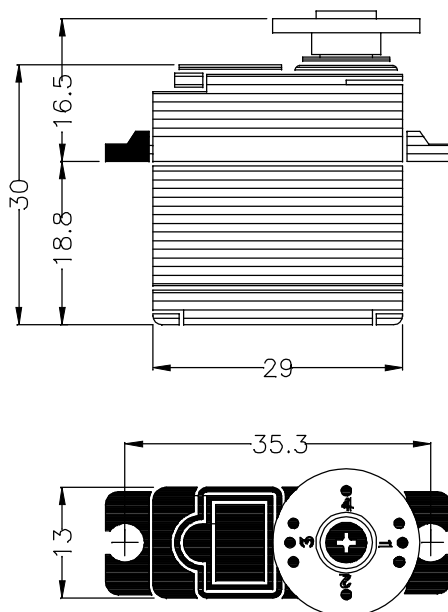


GENERAL SPECIFICATION OF HS-5087MH DIGITAL MICRO SERVO

1. TECHNICAL VALUE

CONTROL SYSTEM	:PULSE WIDTH CONTROL 1500usec NEUTRAL	
OPERATING VOLTAGE RANGE	:6.0V TO 7.4V	
OPERATING TEMPERATURE RANGE	:-20° TO +60°(-4°F TO +140°F)	
TEST VOLTAGE	:AT 6.0V	AT 7.4V
OPERATING SPEED	:0.17sec/60° AT NO LOAD	0.13sec/60° AT NO LOAD
STALL TORQUE	:3.6kg.cm(50.0oz.in)	4.3kg.cm(59.71oz.in)
STANDING TORQUE	:-	
IDLE CURRENT	:3mA AT STOPPED	3mA AT STOPPED
RUNNING CURRENT	:170mA/60° AT NO LOAD RUNNING	200mA/60° AT NO LOAD RUNNING
STALL CURRENT	:1450mA	1750mA
DEAD BAND WIDTH	:2usec	2usec
OPERATING TRAVEL	:40°/ONE SIDE PULSE TRAVELING 400usec	
DIRECTION	:CLOCK WISE/PULSE TRAVELING 1500 TO 1900usec	
MOTOR TYPE	:CORED METAL BRUSH	
POTENTIOMETER TYPE	:2 SLIDER/DIRECT DRIVE	
AMPLIFIER TYPE	:DIGITAL AMPLIFIER & MOSFET DRIVER	
DIMENSIONS	:29x13x30mm(1.14x0.51x1.18in)	
WEIGHT	:21.9g(0.77oz)	
BALL BEARING	:SINGLE/MR106	
GEAR MATERIAL	:1 RESIN & 4 METAL	
HORN GEAR SPLINE	: 24 SEGMENTS/Ø5.76	
SPLINED HORNS	:MICRO/M-I, M-O, M-X	
CONNECTOR WIRE LENGTH	:250mm(9.84in)	
CONNECTOR WIRE STRAND COUNTER	:20EA	
CONNECTOR WIRE GAUGE	:28AWG	



2. FEATURES

- HIGH VOLTAGE
- LIGHTWEIGHT METAL GEARS WITH BALL BEARING
- HIGH PERFORMANCE DIGITAL AMPLIFIER

3. APPLICATIONS

- FOR SMALL MODELS