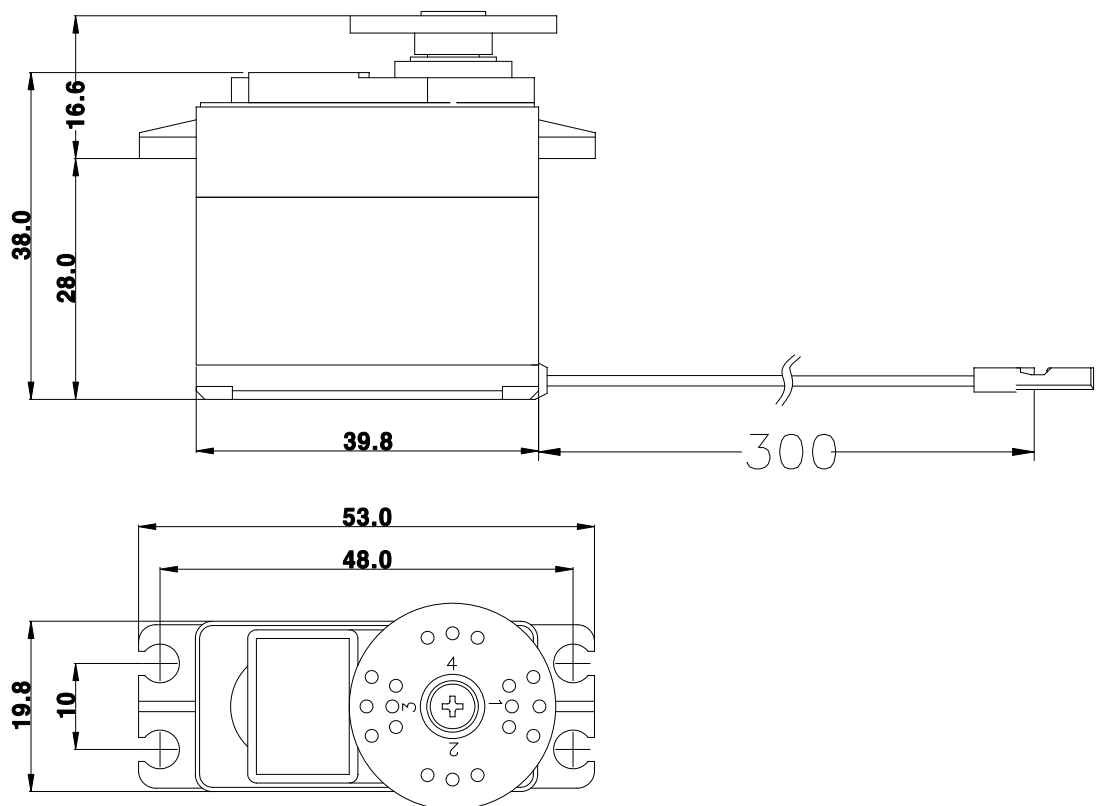


GENERAL SPECIFICATION OF HS-5496MH HIGH VOLTAGE SERVO

1. TECHNICAL VALUES

CONTROL SYSTEM	:+PULSE WIDTH CONTROL 1500usec NEUTRAL	
OPERATING VOLTAGE RANGE	:6.0V TO 7.4V	
OPERATING TEMPERATURE RANGE	:-20°C TO +60°C(-4°F TO +140°F)	
TEST VOLTAGE	: AT 6.0V	AT 7.4V
OPERATING SPEED	: 0.18sec/60° AT NO LOAD	0.15sec/60° AT NO LOAD
STALL TORQUE	: 6.0kg.cm(83.33oz.in)	7.2kg.cm(99.98oz.in)
IDLE CURRENT	: 10mA AT STOPPED	12mA AT STOPPED
RUNNING CURRENT	: 170mA/60° AT NO LOAD	190mA/60° AT NO LOAD
STALL CURRENT	: 1200mA	1400mA
DEAD BAND WIDTH	: 4usec	4usec
OPERATING TRAVEL	:40°/ONE SIDE PULSE TRAVELING 400usec	
DIRECTION	:CLOCK WISE/PULSE TRAVELING 1500 TO 1900usec	
ROTATIONAL LIFE	:10,000cycle MIN/1.3kg.cm LOADED	
GEAR STRENGTH	:7.5kg.cm(104.15oz.in)MIN	
MOTOR TYPE	:CORED METAL BRUSH	
POTENTIOMETER TYPE	:2 SLIDER/DIRECT DRIVE	
AMPLIFIER TYPE	:DIGITAL AMPLIFIER WITH MOSFET DRIVE	
DIMENSIONS	:39.8x19.8x38.0mm(1.57x0.78x1.49in)	
WEIGHT	:52g(1.84oz)	
BALL BEARING	:DUAL/MR106	
GEAR MATERIAL	:KARBONITE RESIN	
HORN GEAR SPLINE	:24 SEGMENTS/∅5.76	
SPLINED HORNS	:REGULAR/R-C,R-D,R-I,R-O,R-X	
CONNECTOR WIRE LENGTH	:300mm(11.81in)	
CONNECTOR WIRE STRAND COUNTER	:40EA	
CONNECTOR WIRE GAUGE	:25AWG	



2. FEATURES

STANDARD SIZED HIGH VOLTAGE SERVO
PROGRAMMABLE DIGITAL
HEAVY DUTY METAL GEARS

3. APPLICATIONS

POPULAR MODELS