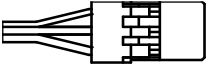
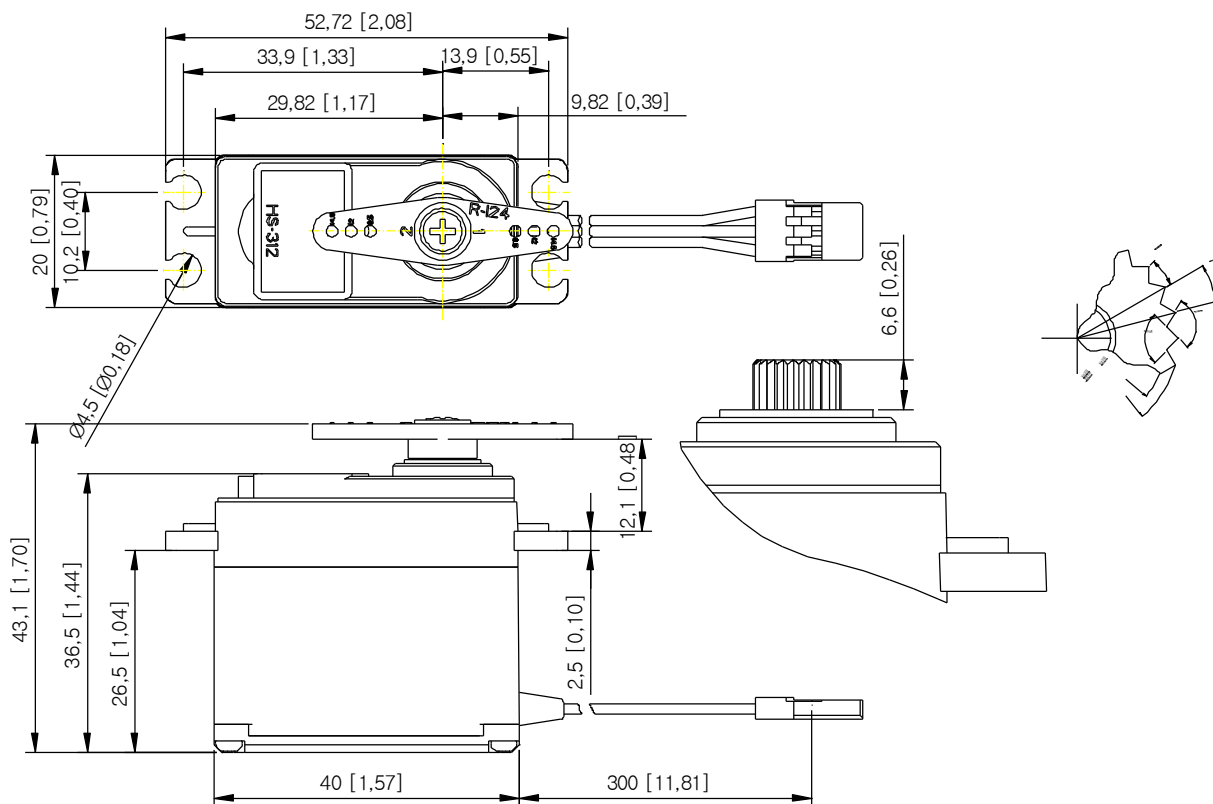


HS-312 General Specification.



SPLASH PROOF STANDARD SERVO

Control system	PWM			-	
Position sensor type	Contact Analog Potentiometer			-	
Operating voltage range	4.8 ~ 6 V			-	
Motor type	Cored			-	
Voltage	4.8V	6.0V	-	At 25°C, 45% (±10%) measurement environment	
No load speed	0.21sec/60°	0.17sec/60°	-		
Stall torque	2.6 kgf·cm(36.11oz·in)	3.2 kgf·cm(44.44oz·in)	-		
Standing current	7mA	8mA	-		
No load running current	160mA	180mA	-		
Stall current	700mA	800mA	-		
Dead band width	5usec	5usec	-		
Operating travel	Default : ±40°/1,100~1,900usec / ±60°/900~2,100usec				-
Operating temperature range	-20°C ~ +60°C (-4°F ~+140°F)				-
Vibrations at no load	MIL-STD-810G 514.6C-VII				-
Storage temperature range	-30°C ~ +80°C (-31°F ~+176°F)			-	
Connector wire length	300mm(11.81inch)				
Connector wire gauge	24WAG				
Dimensions	40.0 mm x 20.0 mm x 36.5 mm (1.57inch x 0.79inch x 1.44inch)			-	
Weight	43.0 g(1.52oz)			-	
Ball bearing	-			-	
Case material	Engineering plastic			-	
Gear material	Resin			-	
Gear train backlash	Max 0.5°			-	
Horn gear spline	H24T (24 Segment Ø6.0)			-	
IP rating	IP55			-	
Servo Amplifier type	Analog Contorller			-	
Features	-			-	
Applications	Aircraft 20-40 Size / Steering & Throttle servo for cars, Trucks, Boats			-	



1:1 scale (unit : mm)

- This product should not be used directly on the human body for medical purposes.
- Do not use for war weapons.
- All specifications are subject to change without notice.



<https://hitec.com>